



HERCULES IP66 GRP ENCLOSURES

PRODUCT OVERVIEW

Introducing the **H-Range (Hercules)**, a rugged and reliable solution for your enclosure and electrical cabinet needs. Manufactured from fiberglass-reinforced polyester (GRP/SMC), the Hercules Range offers exceptional durability and protection for electrical components.

The Hercules Range is designed to withstand any condition, thanks to its IP66 water resistance and IK-10 impact resistance. It comes with an assortment of accessories to guarantee dependable performance wherever you need it. With a keyed lock, an optional clear window, and straightforward installation, this range offers both convenience and security for all your industrial needs.



KEY FEATURES

Unparalleled Strength

Manufactured from strong and durable fiberglass-reinforced polyester (GRP/SMC, Halogen free) and ideal for outside usage with UV-stabilised material. The material also makes it lightweight for easy installation.

Secure Locks

The hinged door comes equipped 90 degree quarter-turn standard locks for added security. The locks are metal-free and are easy to replace.

Direct Wall Mounting

Four wall mounting holes on outer corners of enclosure separate to interior, with removable polyamide hinge system. Symmetrical enclosure allows for left or right side door opening.

Rugged Protection

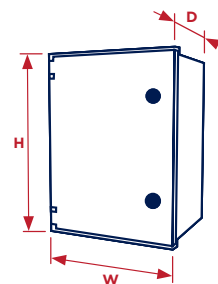
With IP66 water resistance and IK-10 impact resistance, the Hercules Range safeguards your equipment against the elements. The rubber gasket is made with injected polyurethane, resisting temperatures between -30°C and 85°C.

SPECIFICATION

MATERIALS	Fiberglass-reinforced polyester (GRP)	
COLOURS	Light Grey	RAL 7035
IP RATING (IEC-60529)	IP66 (IP65 for windowed versions)	
IK RATING (IEC-62262)	IK-10	
SELF-EXTINGUISHABLE GWIT (IEC-60695-2-10)	960°C	
COMPRESSION RESISTANCE	100kg	
OPERATING TEMPERATURE	-30°C to 70°C	
ELECTRICAL PERFORMANCE	Nominal tension direct current up to	1500 VDC
	Nominal tension alternating current up to	1000 VAC

STANDARD UNIT INCLUDES

1 x Enclosure with door and lock fitted, 1 x Double-Bar Key, 4 x Panel Mounting Screws, 4 x Wall Plugs, and 4 x Wall Screws (No.6 x50mm)



PRODUCT RANGE

PART NUMBER	EXTERNAL HEIGHT (mm)	EXTERNAL WIDTH (mm)	EXTERNAL DEPTH (mm)	INTERNAL HEIGHT (mm)	INTERNAL WIDTH (mm)	INTERNAL DEPTH (mm)	DISSIPATION DT=40°C (W)	WEIGHT (KG)	MAX INTERIOR WEIGHT (KG)
HER-B1-325	300	250	140	273	207	123	36.2	1.93	10
HER-B1-325P	300	250	140	273	207	123	36.2	1.93	10
HER-B1-43	400	300	200	373	257	183	58.8	3.60	18
HER-B1-43P	400	300	200	373	257	183	58.8	3.60	18
HER-B1-44	400	400	200	373	357	183	72.6	4.35	25
HER-B1-54	500	400	200	473	357	183	82.9	5.25	35
HER-B1-64	600	400	230	573	357	213	99.4	7.13	44
HER-B1-65	600	500	230	573	457	213	117	7.93	51
HER-B1-86	800	600	300	773	557	283	185	12.65	63

Note: 'P' denotes a windowed version. Windowed versions are rated to IP65.



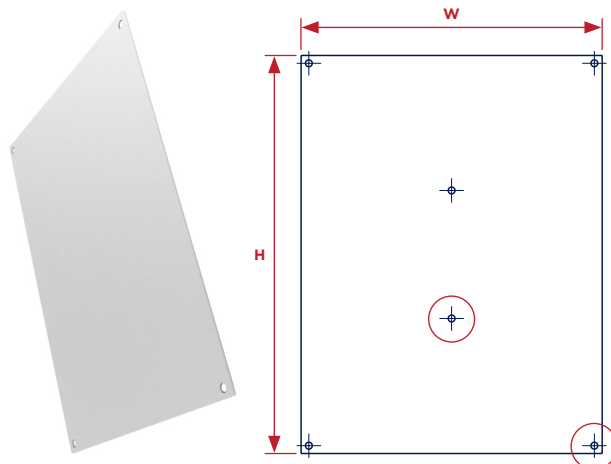


MOUNTING PLATE ACCESSORY

Mounting plates for all sizes of the Hercules Range in metallic (galvanised steel) and polyester variants. Please cross reference part number of H-Range enclosure for compatible mounting plate size.

METALLIC MOUNTING PLATES					
PART NUMBER	HEIGHT (MM)	WIDTH (MM)	THICK (MM)	WEIGHT (KG)	MATERIAL
HER-MPM-325	262	198	2	0.79	Metallic
HER-MPM-43	360	248	2	1.39	Metallic
HER-MPM-44	360	348	2	1.90	Metallic
HER-MPM-54	460	348	2	2.20	Metallic
HER-MPM-64	558	348	2	3.00	Metallic
HER-MPM-65	558	448	2	3.60	Metallic
HER-MPM-86	756	548	2	6.40	Metallic

POLYESTER MOUNTING PLATES					
PART NUMBER	HEIGHT (MM)	WIDTH (MM)	THICK (MM)	WEIGHT (KG)	MATERIAL
HER-MPP-325	262	198	3	0.38	Polyester
HER-MPP-43	360	248	3	0.59	Polyester
HER-MPP-44	360	348	3	0.87	Polyester
HER-MPP-54	460	348	3	1.09	Polyester
HER-MPP-64	558	348	3	1.30	Polyester
HER-MPP-65	558	448	3	1.75	Polyester
HER-MPP-86	756	548	4	2.78	Polyester



Mounting plates are supplied with 1-3 central fixing holes depending on size for additional anchoring and stability against sagging when installing heavier components.

PART NUMBERS	FIXING HOLES	DIAMETER (mm)
All ending in -325, -43, -44	4 corner, 1 central	8
All ending in -54, -64, -65	4 corner, 2 central	8
All ending in -86	4 corner, 3 central	8

WALL MOUNTING BRACKET

Set of 4 black wall mounting brackets for the H-Range made from polyamide reinforced with fiberglass and with screws for fitting to cabinet included.

WALL MOUNTING BRACKET					
PART NUMBER	HEIGHT (MM)	WIDTH (MM)	DEPTH (MM)	WEIGHT (KG)	MATERIAL
HER-WM-14	67	28	25	0.09	PA66 (GF)



APPLICATIONS/INDUSTRIES

- Industrial Control Panels, Electrical Equipment, and Machinery.
- Telecommunication Systems and Networks.
- Transportation Hubs, Signalling Systems, and Control Panels.
- Energy Substation Cabinets, Power Monitoring, and Circuit Breakers.

CUSTOMISATION

- CNC machining available on request and subject to MOQs.
- High-resolution printing for labelling and branding.
- Additional accessories sold separately, like IP67 cable glands.



RELATED PRODUCTS



It is the responsibility of the person installing the electrical equipment to ensure that the installation meets the requirements of the IET wiring regulations. Factors such as the correct selection of components, cable sizing, protective devices and Earth bonding should be checked prior to full testing and power-up. Any other regulations applicable to the equipment being installed such as the Machinery Directive and current health and safety legislation must be adhered to. All connections (including factory made) must be checked for the correct tightness prior to commissioning of the electrical installation. All connections should be inspected periodically to ensure correct tightness.